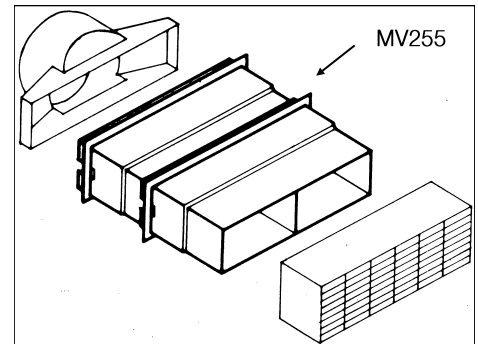
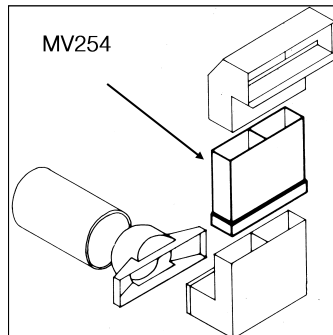
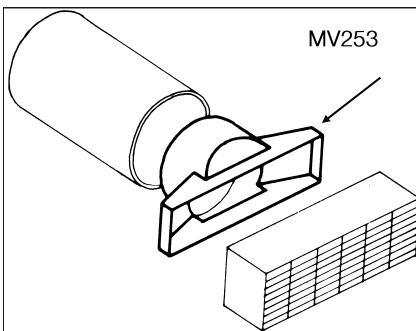
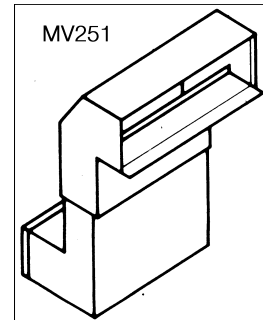
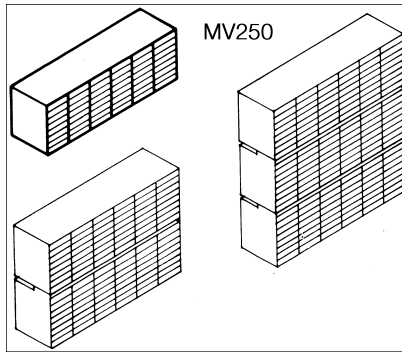
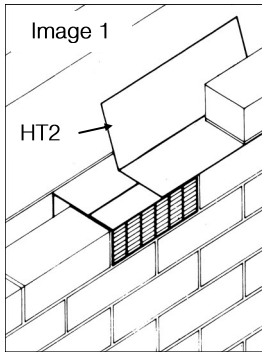


FIXING INSTRUCTIONS

WALL VENT RANGE

Where there is a bridge in the cavity with use of a straight sleeve or periscope, a cavity tray should be installed in the outer leaf immediately over the ventilator. We would advise the use of the Glidevale HT2 cavity tray in these situations (Image 1).



MV250 AIRBRICK (Pack quantity: 20). The airbrick has an airflow of 8,000mm² and should be installed at a maximum of 2m centres. To provide a greater airflow it is possible to clip together a number of airbricks in a vertical stack. The airbrick can be used in combination with the straight sleeve, vent pipe adaptor or periscope. Three colours are available – buff, terracotta and anthracite.

MV251 PERISCOPE (Pack quantity: 20). The periscope is used with the airbrick to provide underfloor ventilation of suspended timber or suspended concrete ground floors. The periscope is adjustable between 3 and 4 brick courses and may be sealed with tape.

MV253 VENT PIPE ADAPTOR (Pack quantity: 10). The adaptor will allow a standard 100mm internal diameter pipe to be connected to the airbrick, periscope or straight sleeve. By this means, remote areas of underfloor voids may be ventilated. The adaptor can be attached directly to the airbrick, periscope or the straight sleeve. Joins may be sealed with tape.

MV254 VERTICAL ADAPTOR (Pack quantity: 10). This adaptor, when fitted between the two halves of the periscope, will increase the overall adjustment to between 5 and 6 brick course and may be sealed with tape.

MV255 STRAIGHT SLEEVE (Pack quantity: 10). Used in straight through applications, the exterior end may be attached to the airbrick and the interior end will accept the vent pipe adaptor. The sleeve may be sealed with tape and, with an airbrick attached, is suitable for wall thicknesses with an overall size between 258mm to 305mm. Overall size may be increased by using more than one sleeve. Attach sleeves together by taping.

.....