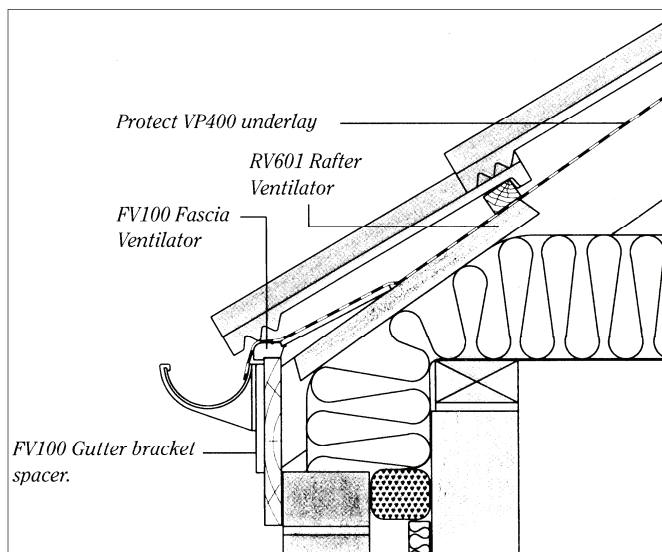


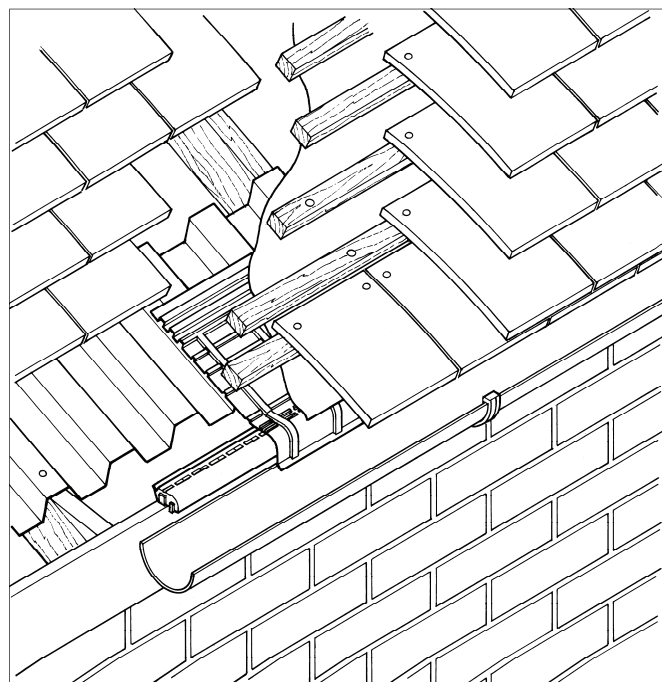
## FIXING INSTRUCTIONS

### 10mm FASCIA VENTILATOR – FV100



#### VENTILATING LOFTSPACE

1. Fix fascia board 15mm below normal level to accommodate height of ventilator unit.
2. Nail fascia ventilator to top of fascia board with rustproof nails.
3. Slots in the top of the ventilator facilitate fixing of eaves fillers and tile clips into top of fascia board.
4. When gutter bracket spacers are used, these should be fitted when the guttering is installed.
5. Lay leading edge of filting fillet board on to top of ventilator to prevent ponding. A Glidevale Overfascia Eaves Skirt is recommended which fulfils this function and replaces the underlay into the gutter.
6. Use rafter tray to ensure insulation does not block the airflow passage.
7. Lay underlay and roof covering in the normal way.



#### VENTILATING BATTEN SPACE

1. Fix fascia board 15mm below normal level (allowing for the counterbatten depth) to accommodate height of ventilator unit.
2. Fit a Glidevale Underfascia Eaves Skirt to the top of the fascia board and lay underlay in the normal way.
3. Nail fascia ventilator to top of fascia board and through the underlay with rustproof nails.
4. Slots in the top of the ventilator facilitate fixing of eaves fillers and tile clips into top of fascia board.
5. When gutter bracket spacers are used, these should be fitted when the guttering is installed.
6. Continue to lay the counterbattens and battens in the normal way.

Illustrations show ventilation of the loftspace

Company names and product descriptions are the Registered Trade Marks of the relevant manufacturer

**FOR FURTHER INFORMATION ON ALL GLIDEVALE PRODUCTS PLEASE CONTACT:**

.....

#### GLIDEVALE LIMITED

2 Brooklands Road, Sale, Cheshire, M33 3SS

Telephone: (+44) 0161 905 5700 Fax: (+44) 0161 905 2085 Web: [www.glidevale.com](http://www.glidevale.com) Email: [info@glidevale.com](mailto:info@glidevale.com)

**BPD**

A Member of the Building Product Design Group