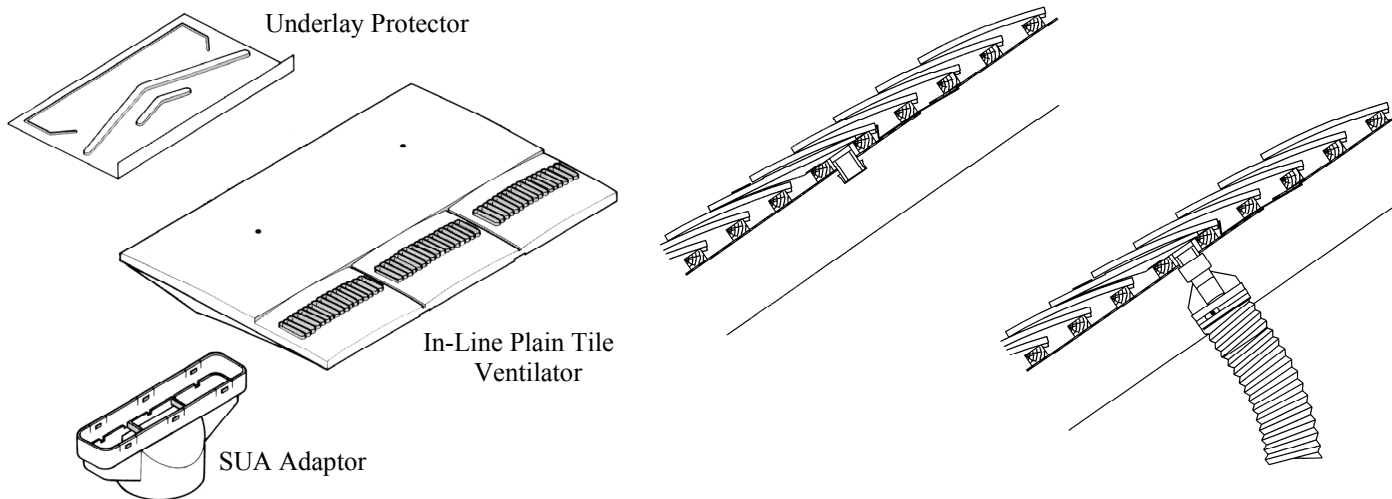
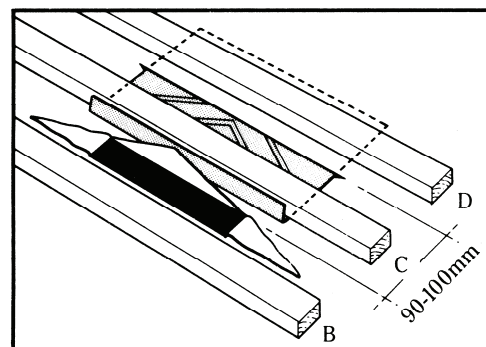
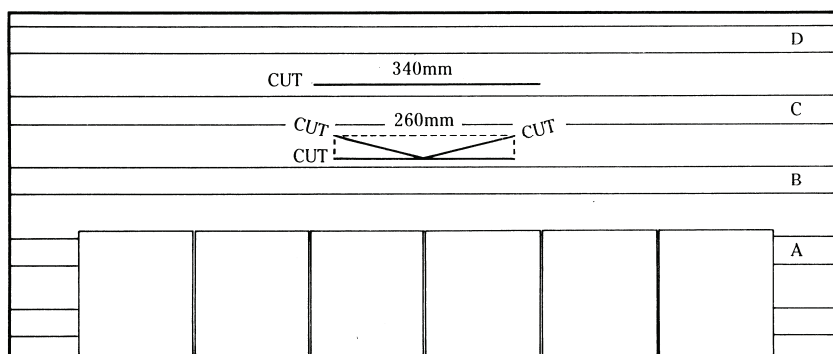


FIXING INSTRUCTIONS

IN-LINE[®] PLAIN TILE VENTILATOR



1. Felt, batten and tile the roof in the normal manner.
2. At the position the ventilator is required, locate the throat between two tile battens. Remove and cut through the underlay as shown below. Fold the 3 flaps upwards and outwards to provide the hole for the ventilator throat.



3. Make a second horizontal cut 340mm wide in the underlay between the next two battens and directly above the opening already created. Slide in the underlay protector unit through the horizontal cut as above.
4. Insert the ventilator throat into the roofspace and position ventilator onto surrounding tiles, ensuring half bond is maintained. Fix ventilator into position through fixing holes on top of the unit. Continue tiling in the normal manner.
5. For soil venting or mechanical extraction, attach the adaptor and flexible pipe (supplied separately) after installation of the ventilator.

WHEN USED WHERE INSULATION FOLLOWS THE RAFTERS, IT MAY BE NECESSARY TO TRIM THE THROAT OF THE TERMINAL TO PREVENT BLOCKAGE BY THE INSULATION.

FOR FURTHER INFORMATION ON ALL GLIDEVALE PRODUCTS PLEASE CONTACT:

.....

GLIDEVALE LIMITED

2 Brooklands Road, Sale, Cheshire, M33 3SS

Telephone: (+44) 0161 905 5700 Fax: (+44) 0161 905 2085 Web: www.glidevale.com Email: info@glidevale.com

BPD

A Member of the Building Product Design Group