

FIXING INSTRUCTIONS

LOFT LADDER – AHL

DO NOT ATTEMPT TO USE THE LADDER UNTIL STEPS 1 TO 5 BELOW HAVE BEEN COMPLETED

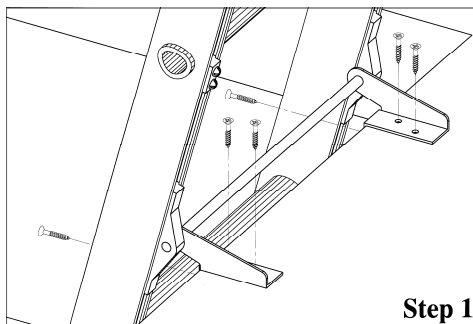
The Ladder should not be fitted if the floor to floor height is greater than 2670mm

CONTENTS:

2 section AHL Loft Ladder including guide assembly and pivot arm
1 No Pole
6 No 30mm Screws
2 No 20mm Screws

GENERAL SPECIFICATION:

Minimum loft opening 560mm L x 457mm W
Minimum loft clearance required 860mm
Minimum loft floor clearance required 1240mm



Step 1

STEP 1

Fit the loft ladder guide assembly to the frame with the 6 No 30mm screws provided. The fixing brackets must be positioned at each end of the guide assembly as shown.

STEP 2

Lower the ladder to the floor, engage the catch and make sure that the catch is locked in position. Check for the correct climb angle – see the special angle indicator label on the side of the ladder.

STEP 3

Slide the two black plastic stops down to the top of the guide assembly and tighten the 4 No screws. This will ensure that the ladder is always in the correct position for climbing.

STEP 4

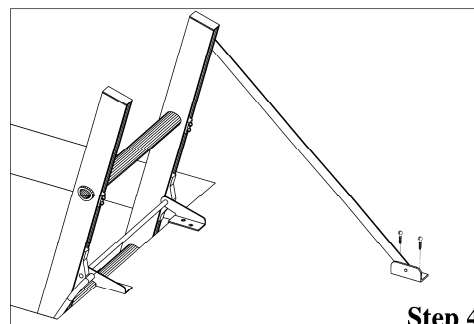
With the ladder in the climbing position, fix the pivot arm to the floor of the loft with the 2 No 20mm screws provided. If there is no floor, it may be necessary to introduce a timber batten.

STEP 5

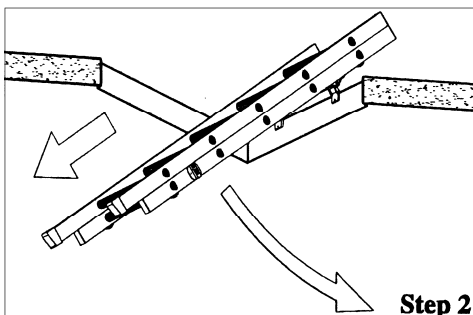
Close the sections together, making sure the catch locks in position and push the loft ladder fully into the loft.

STEP 6

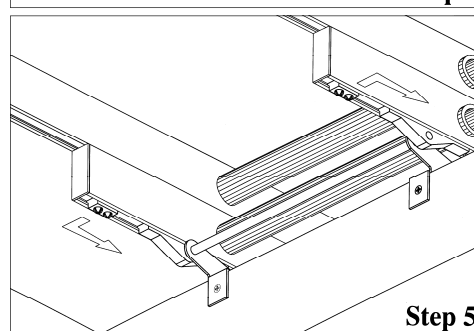
To lower and raise the loft ladder, use the pole provided by inserting this into a rung hole.



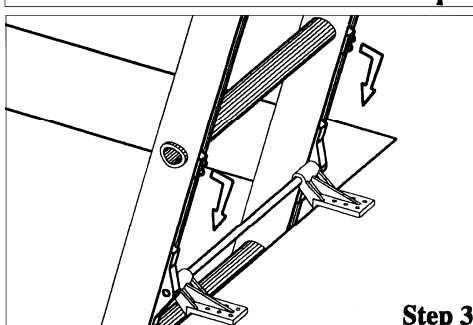
Step 4



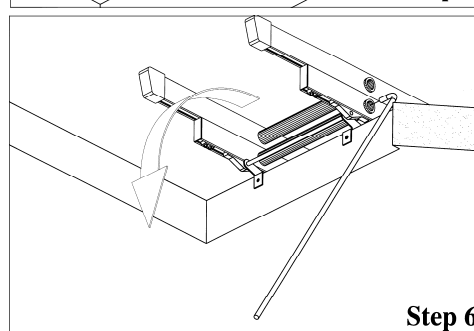
Step 2



Step 5



Step 3



Step 6

- **NEVER CLIMB LADDER UNLESS FULLY EXTENDED WITH CATCH ENGAGED AND BOTH TOP STOPS IN CONTACT WITH GUIDE ASSEMBLY**
- **ONLY ONE PERSON ON THE LADDER AT ANY TIME**
- **USE BOTH HANDS WHENEVER POSSIBLE**
- **CHECK SCREWS, RIVETS, ETC AT REGULAR INTERVALS**
- **MAXIMUM LOAD WEIGHT – BS EN 14975:2006+A1:2010 – 150KGS MAXIMUM**

PLEASE LEAVE THIS FIXING INSTRUCTION FOR THE OCCUPANTS

Complementary products:

AH5 loft access hatch



FOR FURTHER INFORMATION ON ALL GLIDEVALE PRODUCTS PLEASE CONTACT:

GLIDEVALE

2 Brooklands Road, Sale, Cheshire, M33 3SS

Telephone: (+44) 0161 905 5700 Fax: (+44) 0161 905 2085 Web: www.glidevale.com Email: info@glidevale.com

BPD

A division of Building Product Design Ltd. Company Registration No: 3944123