

## FIXING INSTRUCTIONS

### AH7 LOFT ACCESS HATCH - ½ HOUR FIRE-RATED

***THIS EQUIPMENT IS NOT DESIGNED AS PART OF THE FLOORING AND MUST NOT BE WALKED ON***

Provide an opening between the joists for the loft hatch unit. The minimum trimmed opening between joists should be **560mm x 560mm**.

A brush finished margin of at least 30mm wide around the opening must be provided where a heavily textured ceiling finish is applied prior to installation.

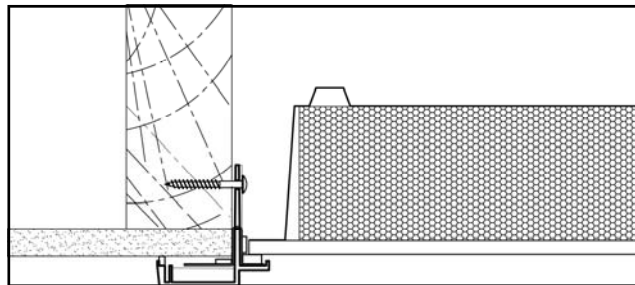
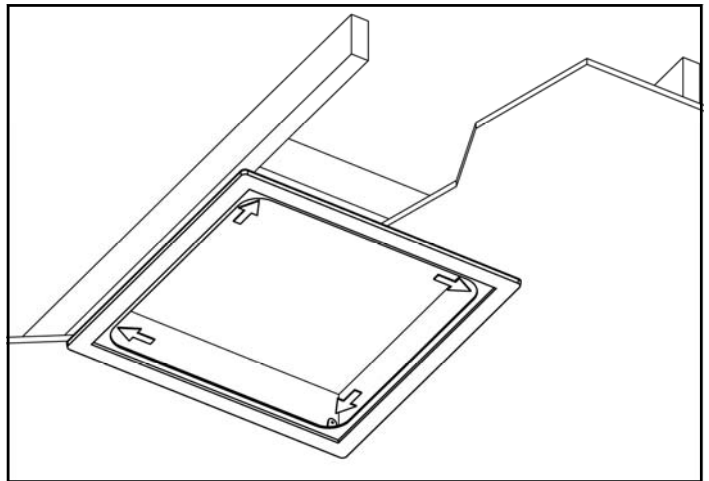
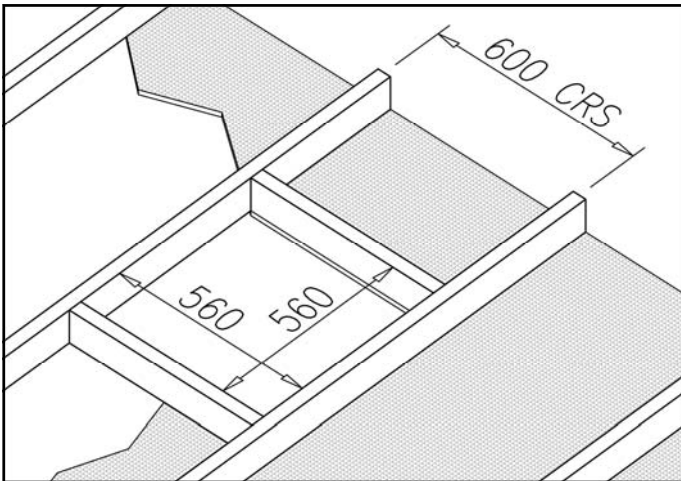
Offer the frame unit up to the prepared opening and temporarily fix using the 45mm screws provided. It is important that the frame is fitted tight against the ceiling finish, compressing the foam seal for maximum airtightness performance.

Once it is determined that the frame is tight fitting to the ceiling, permanently fix the screws to the trimmed opening ensuring that the frame is pushed tight against the ceiling to compress the foam seal.

**Ensure that the fixing does not twist the frame as this will ultimately prevent the hatch from closing properly.**

Pass the lid through the frame and into the roofspace and lower into position.

In the roofspace, care should be taken to ensure that the continuity of the roof insulation is maintained up to the edge of the frame.



**Complementary products:**

AH6 hinge down loft access hatch 1hour fire rated



**GLIDEVALE**

2 Brooklands Road, Sale, Cheshire, M33 3SS

Telephone: (+44) 0161 905 5700 Fax: (+44) 0161 905 2085 Web: [www.glidevale.com](http://www.glidevale.com) Email: [info@glidevale.com](mailto:info@glidevale.com)



A division of Building Product Design Ltd. Company Registration No: 3944123