



Use a core drill with min. dimension $\varnothing 102\text{mm}$ for Fresh 90 and $\varnothing 150\text{mm}$ for Fresh 90dB. Drill from inside to outside. Drill the hole so that the pipe slopes slightly downwards.

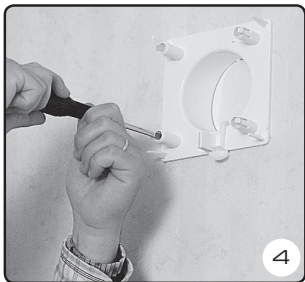
Fresh 90: With wall thickness larger than 360mm, additional telescopic pipe can be used (accessory). If the wall thickness is less than 300mm the pipe can be cut to required length.



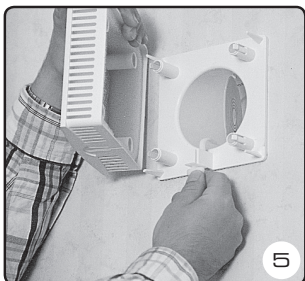
Mount the pipe and seal against the wall, both inside and outside, with for example a sealing agent.



Nail or screw the outside grille into place.



Attach the internal vent housing with 4 screws.



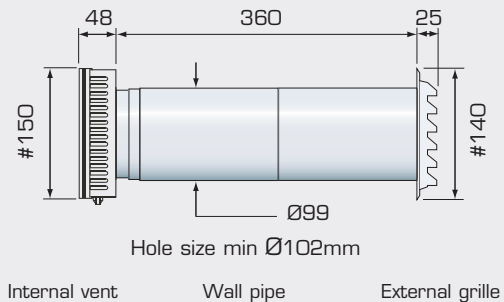
Place the internal butterfly vent arm in the slot.



Attach the front cover. The vent is now completely installed.

Fresh 90

Max. wall thickness (standard)

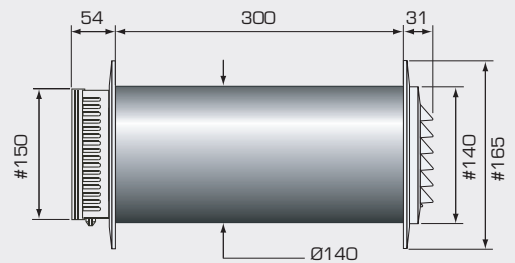


Hole size min $\varnothing 102\text{mm}$

Internal vent Wall pipe External grille

Fresh 90-dB

Max. wall thickness



Hole size min $\varnothing 150\text{mm}$
Internal cover plate #165 as standard

Placement

As high as possible on the wall, at least 10cm below the ceiling.

Above or in direct connection with a window or a radiator.

Avoid drilling holes in studs and in proximity to electric wiring and water pipes.

When installing in existing ventilation duct, cover plates #165 or #210mm are available as accessories.

Maintenance

Front cover insulated from condensation and sound penetration.

Dust and insect filter supplied as a standard feature. Other filters available as accessories.

Stopper which is easily removed if a minimum flow is required.

Damper control for unlimited adjustment of airflow.

The filter ought to be washed/replaced 1-2 times per year. The Standard filter is washable (use a gentle detergent). The Pollen and Environmental filter should be replaced with a new one. The filter is placed in the front cover, which is easily removed.

