

FIXING INSTRUCTIONS

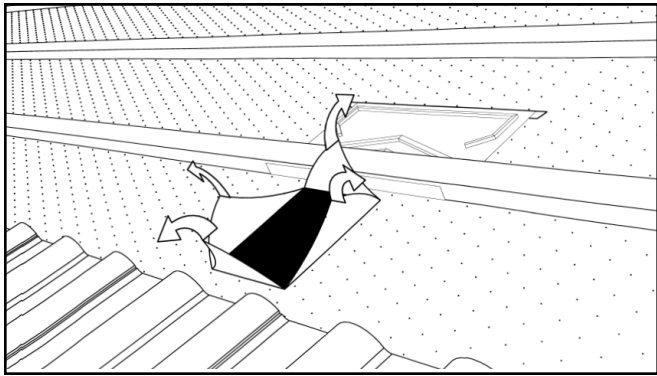


TT9/TT13 VERSA-TILE ROOF VENTILATOR

- Five colours: Red, Brown, Grey, Terracotta, Red Streak
- Fade retardant UV stable surface treatment proven in use over 15 years
- Not suitable for use with: Plain Tiles, Clay Single Pantiles, Forticrete Centurion, Goxhill Gaelic Tiles, Double Lap or Interlocking Slates

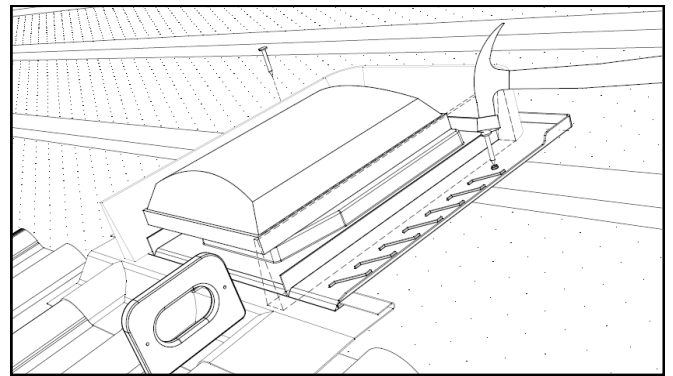
1. Decide on a suitable position for the TT9/TT13 Versa-Tile ventilator between rafters and tiling battens.

Lay tiles up to the course below this position. Cut an X in the underlay and fold flaps upwards and outwards. Make a slit in the underlay above the tile batten, slide the underlay protector under the batten and into the slit.

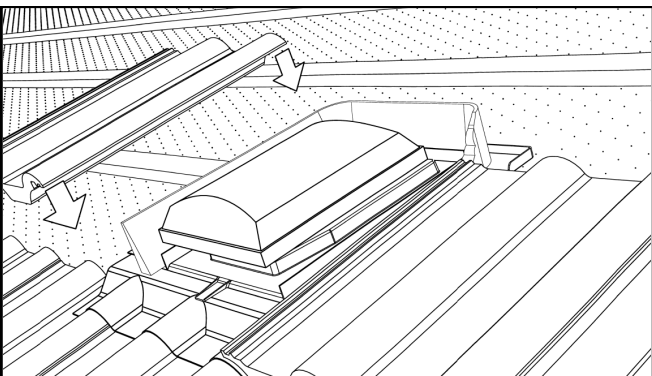


2. Fit the Versa-Tile in position and nail to the batten.

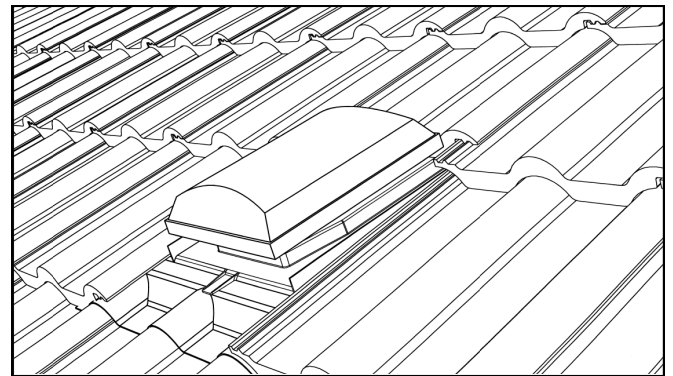
For profiled tiles, ensure roof covering is clean, dry and dust free. Remove protective backing and dress the front AluFlash apron onto the tiles below to ensure a weatherproof junction.



3. Lay the next course of tiles, overlapping the Versa-Tile on each side and compressing the foam filler. It may be necessary to remove adjacent tile nibs to prevent tiles “kicking-up”. Fix adjacent tiles where necessary.



4. Continue tiling in the normal way.



Please note: The Versa-Tile ventilator shown above is the TT9 terminal, product drawings for the TT9 and TT13 are shown on the reverse.

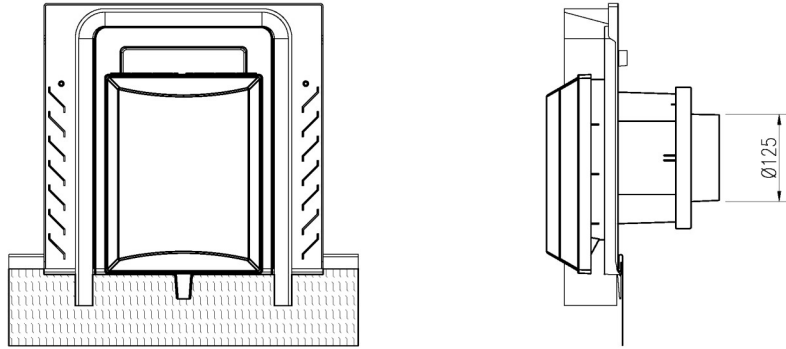
SUITABLE FOR ROOF PITCHES OF BETWEEN 20° AND 60° -
FOR PITCHES ABOVE OR BELOW THIS CONSULT PASSIVENT TECHNICAL SERVICES

FIXING INSTRUCTIONS

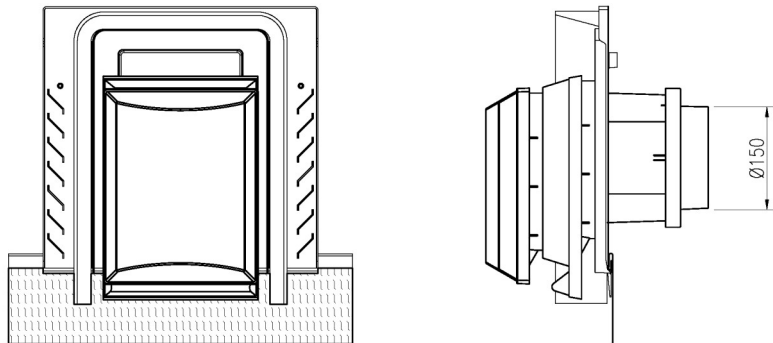


TT9 / TT13 VERSA-TILE ROOF VENTILATOR

TT9 Versa-Tile Roof Ventilator



TT13 Versa-Tile Roof Ventilator



SUITABLE FOR ROOF PITCHES OF BETWEEN 20° AND 60° -
FOR PITCHES ABOVE OR BELOW THIS CONSULT PASSIVENT TECHNICAL SERVICES

Company names and product descriptions are the Registered Trade Marks of the relevant manufacturer.

.....

FOR FURTHER INFORMATION ON ALL PASSIVENT PRODUCTS, PLEASE CONTACT:

Passivent, Plymouth Avenue, Brookhill Industrial Estate, Pinxton, NG16 6NS
T: +44 (0)1732 850 770 W: passivent.com E: projects@passivent.com

